

# PTRAP Tubular P-Trap • Spec Sheet



## FEATURES & BENEFITS

- Chrome Plated
- Size 1-1/2" x 1-1/4"

### PTRAP0706CP20CO

- 20 Gauge With Cleanout

### PTRAP0706CP22

- 22 Gauge Less Cleanout

### PTRAP0706CP17

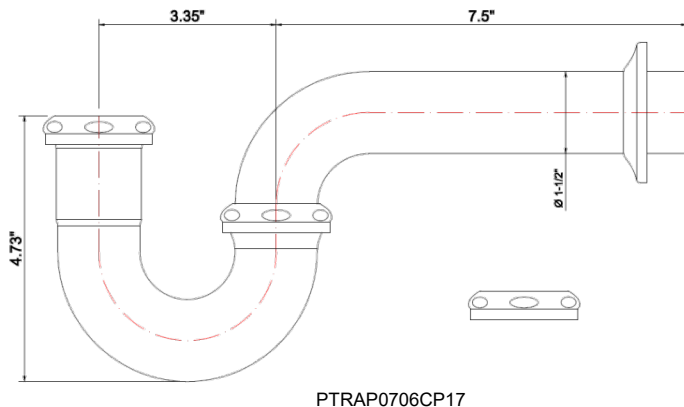
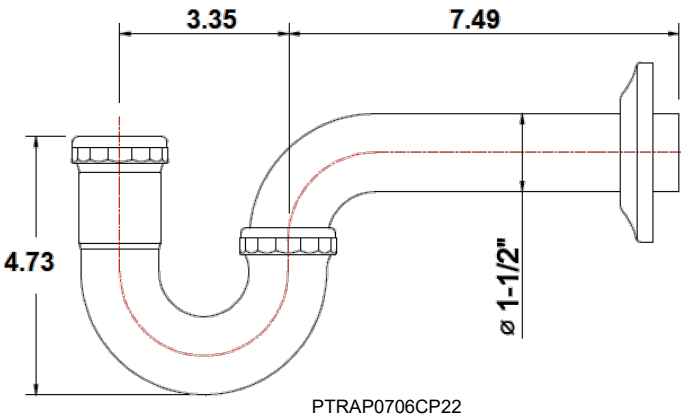
- 17 Gauge Less Cleanout
- Comes with 3 Slip Nuts

### PTRAP0706CP17CO

- 17 Gauge With Cleanout

## MATERIAL SPECIFICATIONS

Part	Material
Slip Nut, 1-1/2	Zinc Die Cast
Washer, 1-1/2x1-1/4	Plastic
Washer, 1-1/2	Rubber
J-Bend, 1-1/2	Brass
Wall Bend, 1-1/2	Brass
Flanges, 1-1/2	SS



**CALIFORNIA** 5595 Fresca Dr., La Palma CA 90623  
**TEXAS** 1150 Silber Rd., Houston TX 77055  
**ILLINOIS** 278 Windy Point Dr., Glendale Heights, IL 60139  
**GEORGIA** 113 Industrial Blvd., Americus, Georgia 31709  
**NEW YORK** PO Box 27, Rt.22, Brewster NY 10509  
 WEB: [www.matco-norca.com](http://www.matco-norca.com)

• Phone: 866-532-8306 • Fax: 866-532-8307  
 • Phone: 800-935-5456 • Fax: 713-680-2999  
 • Phone: 844-412-5068 • Fax: 800-640-2252  
 • Phone: 800-433-7526 • Fax: 800-533-5134  
 • Phone: 800-431-2082 • Fax: 845-278-9056  
 EMAIL: [mail@matco-norca.com](mailto:mail@matco-norca.com)